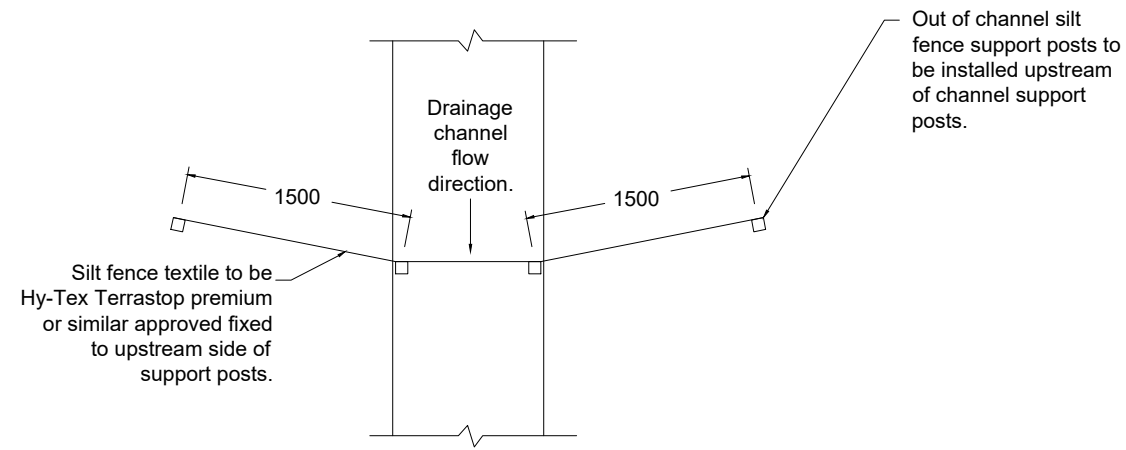


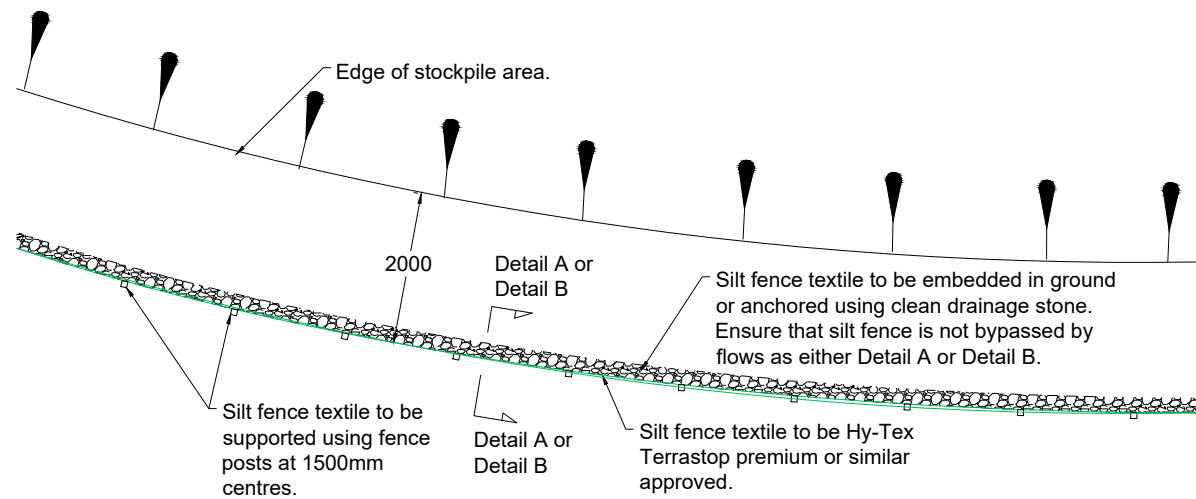
**Elevation on silt fence at drainage channel**

Scale 1:50



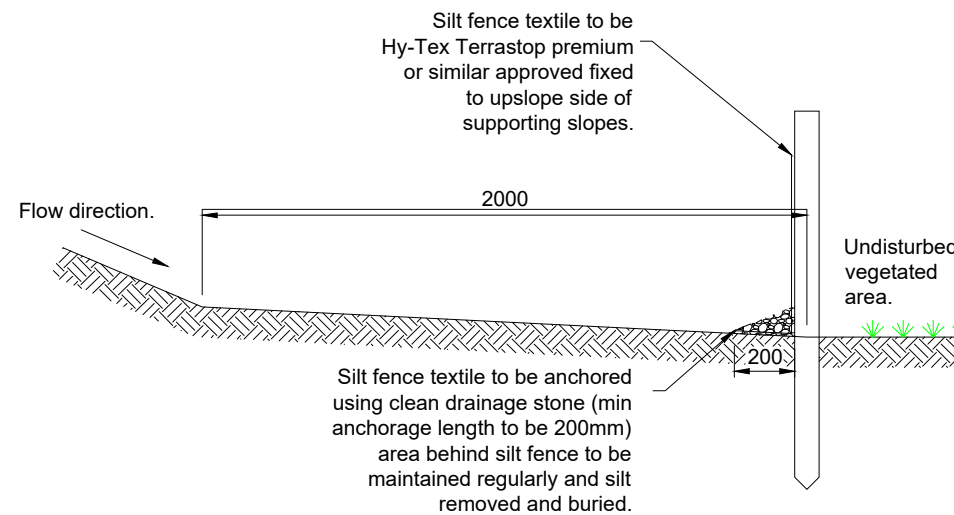
**Plan on silt fence at drainage channel**

Scale 1:50



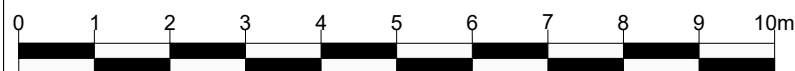
**Plan on silt fence at stockpile areas**

Scale 1:100

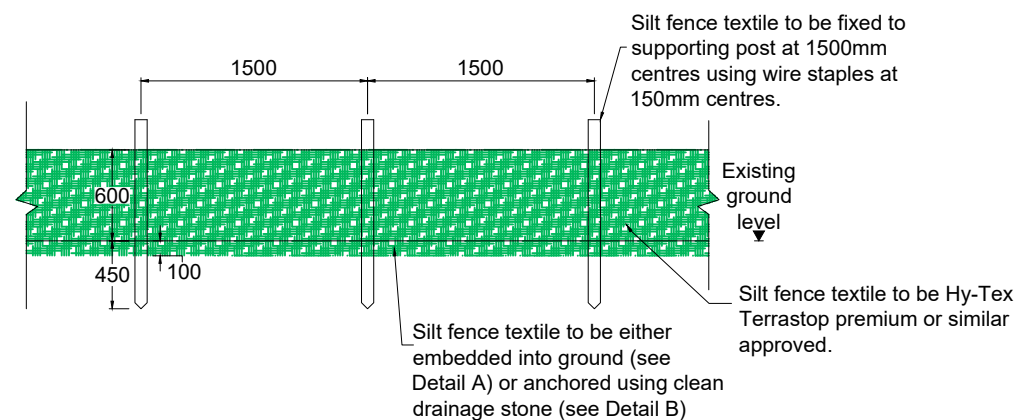


**Detail A**

Scale 1:25

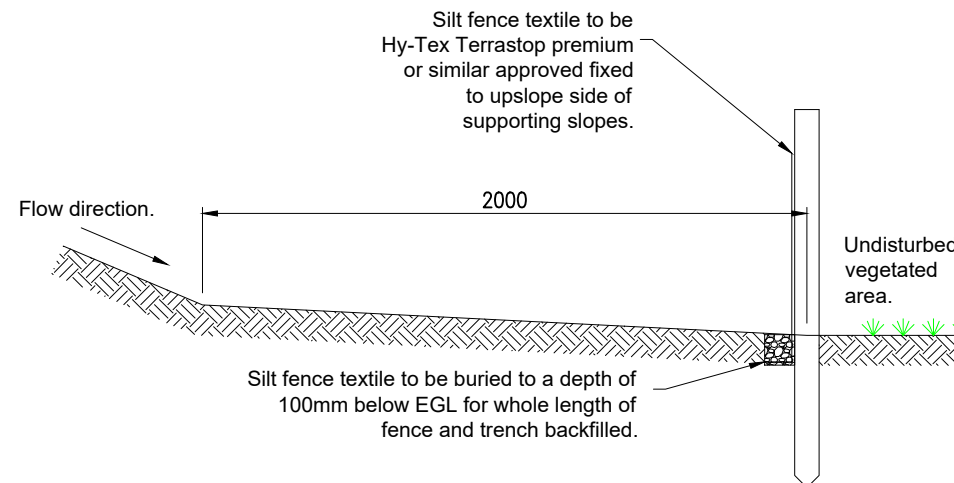


Scale 1:100



**Elevation on silt fence at stockpile areas**

Scale 1:50



**Detail B**

Scale 1:25



Scale 1:50



Scale 1:25

**Notes:**

1. All dimensions are in millimetres (mm).
2. Details may vary subject to ground conditions.

**Legend:**

- Silt fence textile (Hy-Tex Terrastop premium or similar)
- Edge of Stockpile Area

P02	Client comments	04/26	SJB	RA	GH
P01	Initial Issue	12/25	IG	RA	GH
Rev	Amendments	Date	By	Chk	Auth



www.slrconsulting.com

Client  
RWE Renewables Ireland

Project  
Muingmore Wind Farm

Figure Title  
Typical Drainage Details - Silt Fence Details

Scale  
As shown @ A3

SLR Project No.  
501.065301.00001

Designed  
N/A

Drawn  
IG

Checked  
RA

Authorised  
GH

Date  
N/A

Date  
12/25

Date  
04/26

Date  
04/26

Figure Number  
D15

Rev.  
P02