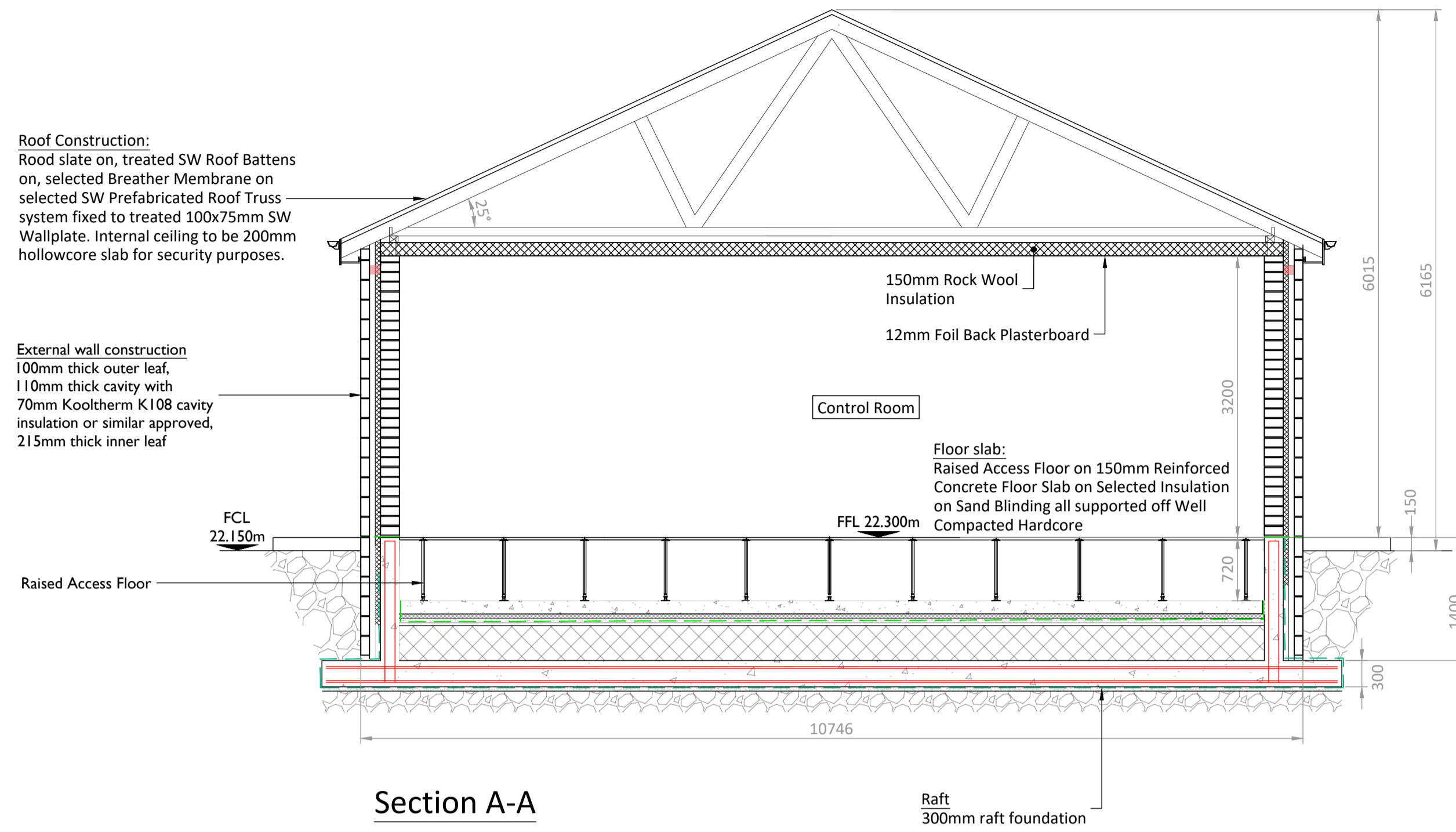


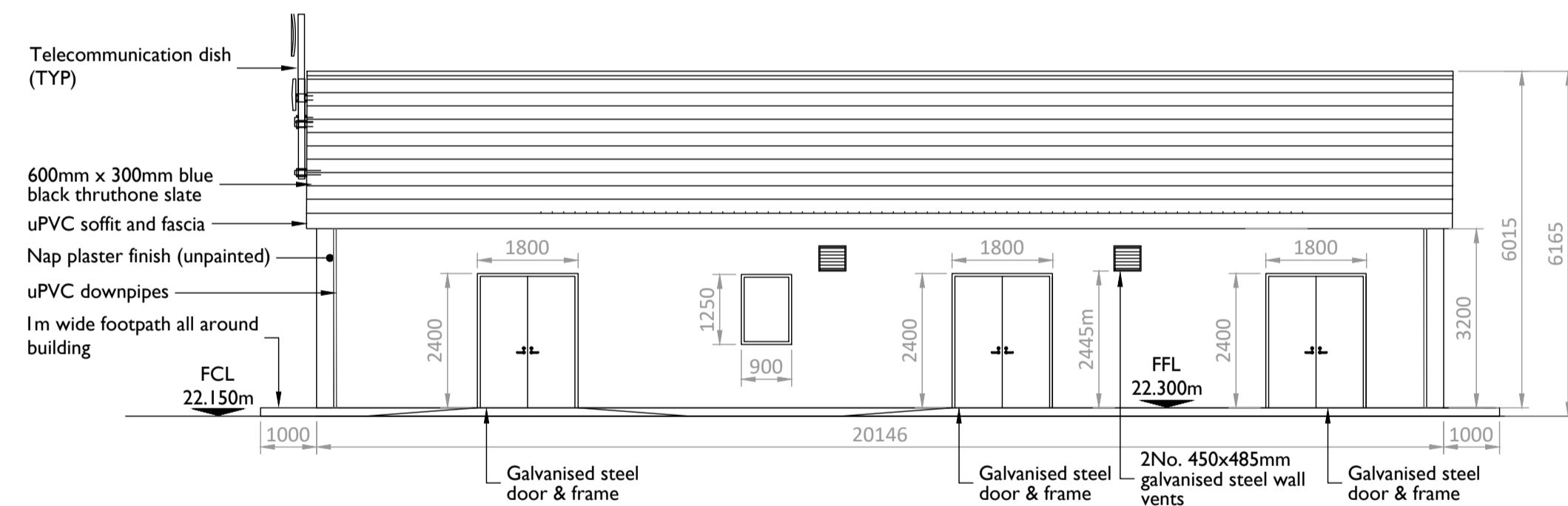
BESS MV Switchgear Building - Ground Floor Plan
Scale:1:100

Roof Construction:
Roof slate on, Treated SW Roof Battens on, selected Breather Membrane on selected SW Prefabricated Roof Truss system fixed to treated 100x75mm SW Wallplate. Internal ceiling to be 200mm hollowcore slab for security purposes.

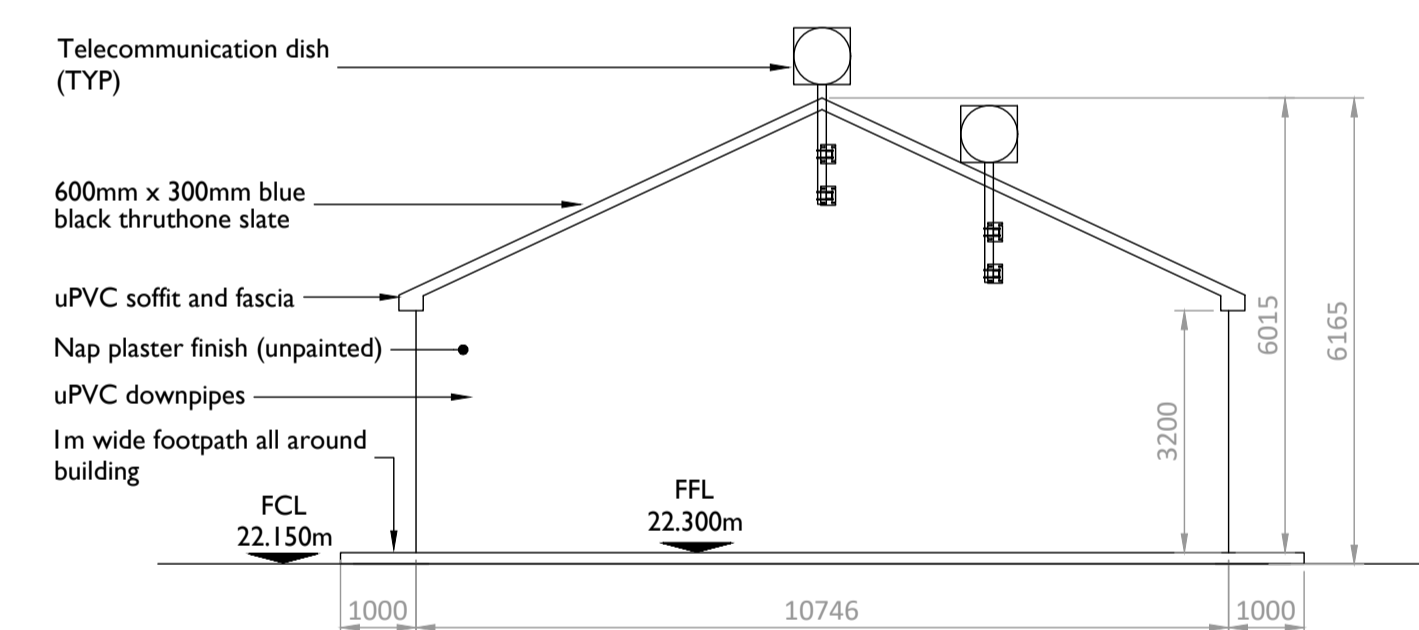
External wall construction
100mm thick outer leaf, 110mm thick cavity with 70mm Kooltherm K108 cavity insulation or similar approved, 215mm thick inner leaf



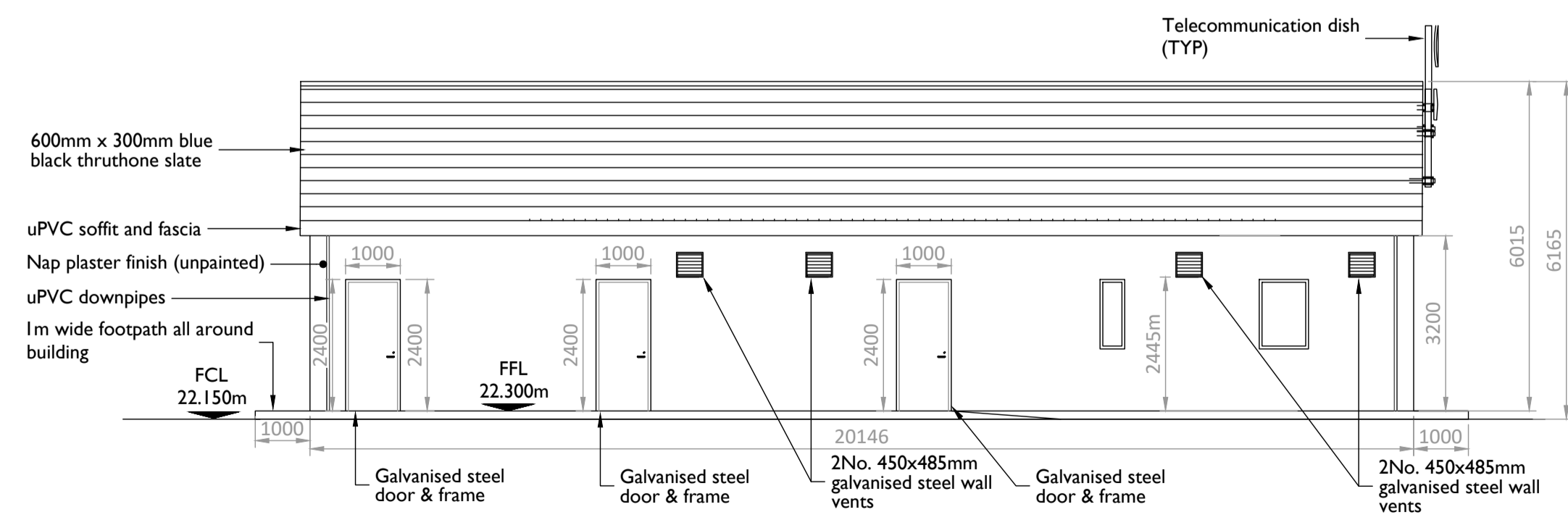
Section A-A
Scale:1:50



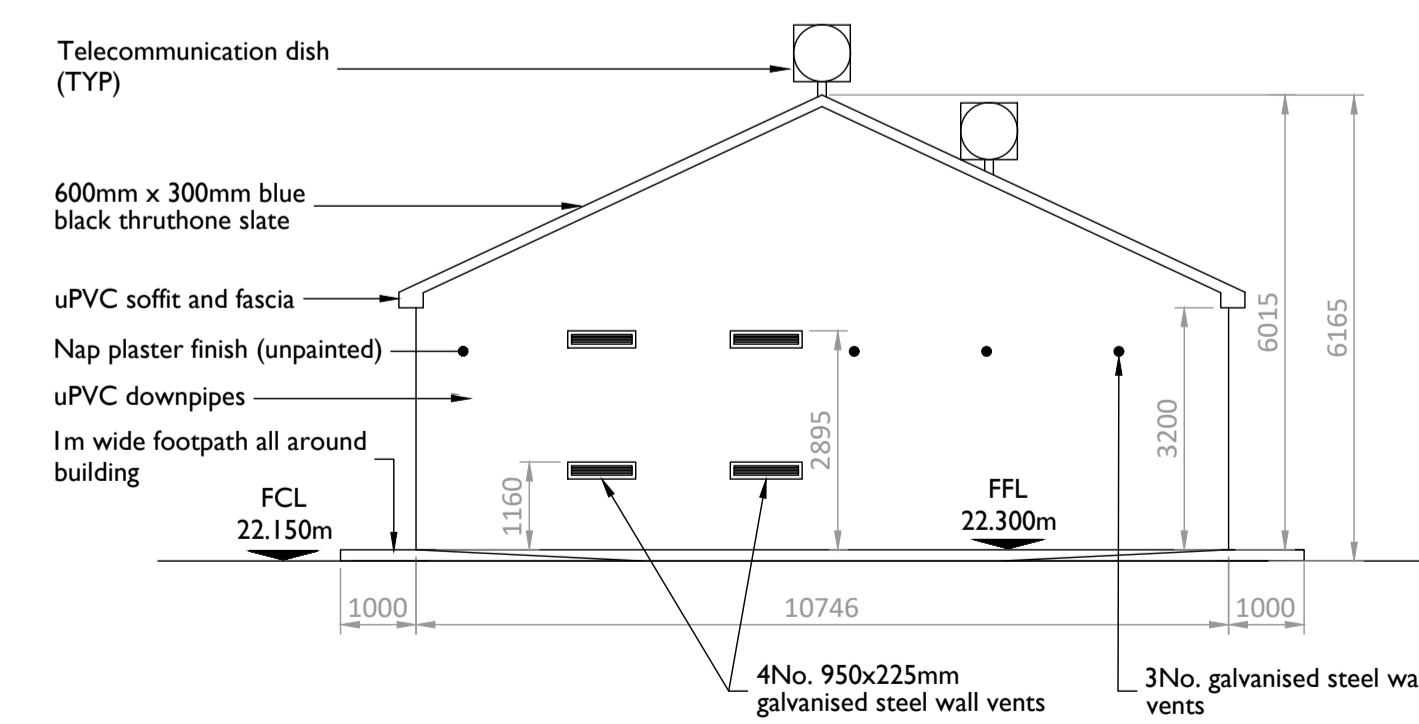
Elevation A
Scale:1:100



Elevation C
Scale:1:100



Elevation B
Scale:1:100



Elevation D
Scale:1:100

NOTES: -

- This drawing is to be read in conjunction with relevant engineering drawings, specifications and reports.
- Dimensions are in millimeters, unless noted otherwise.
- Drawings are not to be scaled use figured dimensions only.
- The external building dimensions are to the outer face of the unplastered block.

LEGEND: -

- Levels on Plans shown thus
- Levels on Elevations / Section shown thus
- Vent details shown thus
- Movement joint shown thus
- Down pipes shown thus
- 60 minute cavity fire barrier minimum shown thus

ISSUE/REVISION

NO.	DATE	DESCRIPTION
P4	27.02.26	Issued for Planning
P3	14.01.26	Issued for Comment
P2	18.12.25	Issued for Comment
P1	02.12.25	Issued for Comment
P0	27.11.25	Issued for Comment
I/R	DATE	DESCRIPTION

PROJECT NUMBER

300-101402

SHEET TITLE

BESS MV Switchgear Building Ground Floor Layout Plan, Elevation & Section

SHEET NUMBER

300101402-C-DR-1200